

**2.0mm(H) Slide Switch (SMT, TH Type)**



**SSG-B3/B4S/T-32ASH**

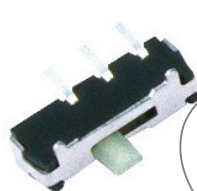
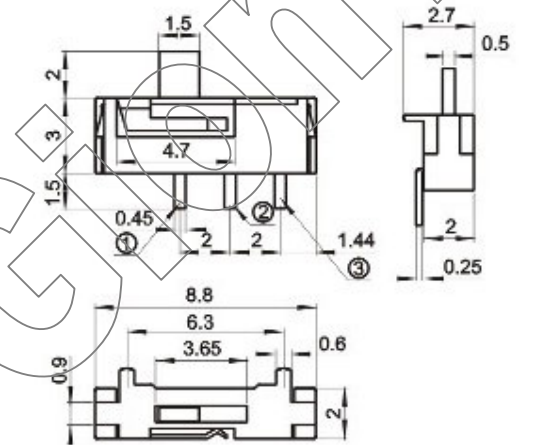
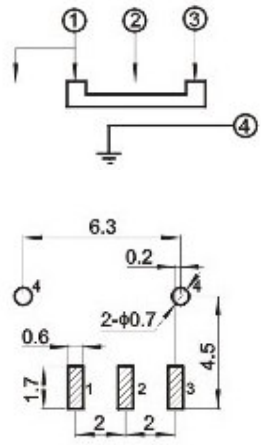
SS - Slide Switch  
 G - G Series  
 B3/B4 - Type  
 S/T - SMT/TH Type  
 X - Pins  
 X - Switch  
 A / B - Contact Row A=1, B=2  
 S/T - Side / Top Slide  
 H - With Post (Optional)

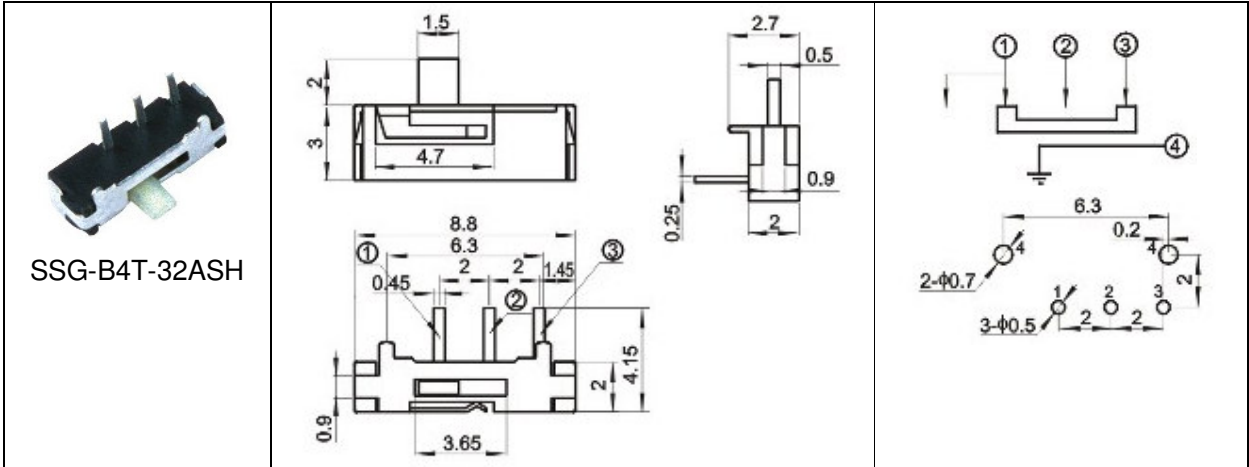
**SPECIFICATIONS**

|                          |                  |
|--------------------------|------------------|
| Mechanical Life:         | 12,500 cycles    |
| Operating Force:         | 200g±100g        |
| Rating:                  | 30mA 6.3V DC     |
| Dielectric Withstanding: | 250V AC/minute   |
| Insulator resistance:    | ≥ 100 MΩ at 100V |
| Contact resistance:      | ≤ 70 mΩ/Contact  |
| Operating temperature:   | -20°C ~ +70°C    |
| Storage temperature:     | -40°C ~ +85°C    |

**Material**

|                         |                                |
|-------------------------|--------------------------------|
| Base:                   | PBT/PA6T/LCP, UL94V-0          |
| Contact material:       | Phosphor Bronze                |
| Contact Spring Plating: | Stainless Steel/Silver Plating |

| Physical Picture   | Outline Drawing  | Circuit / Footprint   |
|--|--|---|
|  <p>SSG-B3S-32ASH</p> |  |  |



GionTech